

Network Diagrams

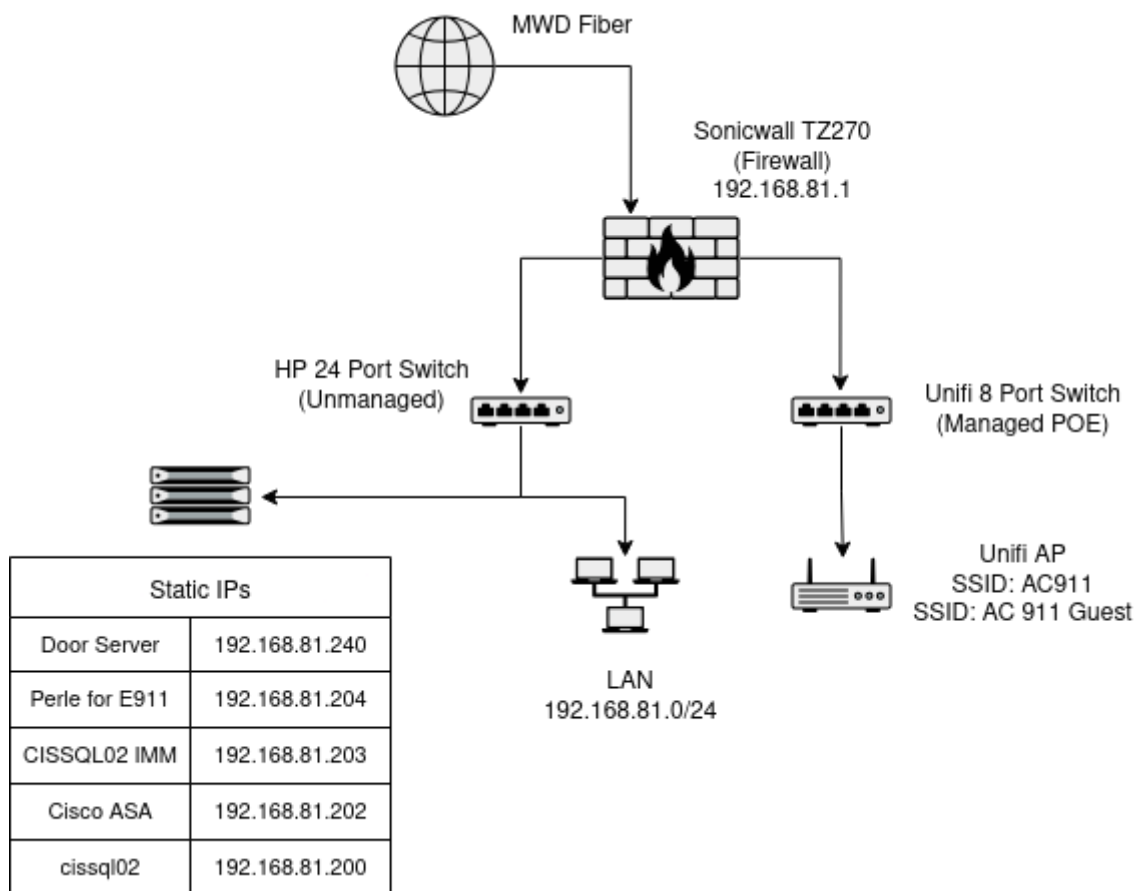
- [Atchison 911 Network](#)

Atchison 911 Network

Created by: Midwest Data Center

Date: 29-7-25

Diagram:



Notes:

- The primary internet connection is provided by Midwest Data Center via fiber.
- The fiber connects to a SonicWall firewall at IP address `192.168.81.1`.
- The firewall is connected to two switches:
 - An unmanaged HP switch.
 - An 8-port managed POE UniFi switch.
- Access Points are connected to the UniFi switch and broadcast two SSIDs: `AC911` and `AC 911 Guest`.

- Devices on the AC911 SSID and all wired devices use the 192.168.81.0/24 subnet.
- Devices on the AC 911 Guest SSID use the VLAN 192.168.1.0/24.
- DHCP ranges:
 - 192.168.81.20 to 192.168.81.100 for the main subnet.
 - 192.168.1.100 to 192.168.1.200 for the guest subnet.

Static IP Assignments

Name	IP Address
SonicWall Firewall	192.168.81.1
Door Server	192.168.81.240
Perle for E911	192.168.81.204
CISSQL02 IMM	192.168.81.203
Cisco ASA	192.168.81.202
CISSQL02	192.168.81.200